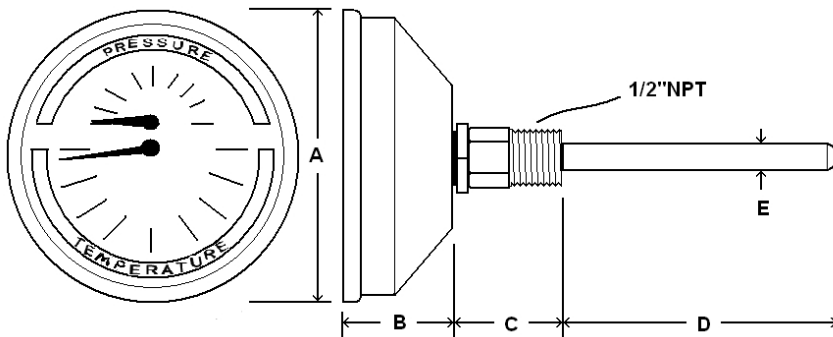


Dual reading pressure and temperature instrument
High quality, economical design for use in commercial and industrial boiler applications

SPECIFICATIONS

Dial	3 1/4" (83 mm)
Case	Black painted steel, dry non-fillable
Stem	3", copper alloy
Lens	Plastic with red indicator
Pointer	Black aluminum
Connection	Center back mount 1/2" NPT, copper alloy
Scale	Pressure: dual scale psi & ft of water column Temperature: dual scale °F & °C
Temperature Range	70/320° F & 20/160° C
Accuracy	3-2-3% full scale per Grade B, ASME B40.1
Ambient Temp*	-30° F to 180° F



AVAILABLE OPTIONS*

- Custom Dial
- Special Connection Size
- Single Scale
- Special Ranges
- Custom Lens Material
- Custom Stem Length
- Custom Lagging Dimension
- 316 Stainless Steel Wetted Parts

*Lead times may apply

Dial	Unit	A	B	C	D	E
3 1/4"	In.	3.31"	1.23"	1.36"	2.23"	0.36"
	mm	84	31	34.4	57	9.3

APPROXIMATE SHIPPING WEIGHTS/ BOX QUANTITIES

Dial Size	Est. Unit Weight	Box Qty
3 1/4"	0.55 lbs (0.26 kg)	50

PART NUMBER	DIAL SIZE	PRESSURE		TEMPERATURE	
		psi	Ft of Water	F	C
TRI-RC-3.25R-3.00-D	3 1/4"	0/75	0/170	70-320°	20-160°
TRI-RC-3.25R-3.00-E	3 1/4"	0/100	0/230	70-320°	20-160°
TRI-RC-3.25R-3.00-G	3 1/4"	0/200	0/450	70-320°	20-160°
TRI-RC-3.25R-3.00-H	3 1/4"	0/300	0/700	70-320°	20-160°

*NOTE: High or low ambient temperatures may have adverse effect on accuracy. Consult PIC Gauges for instrument selection.